



Ciaz

BE IN A GOOD SPACE

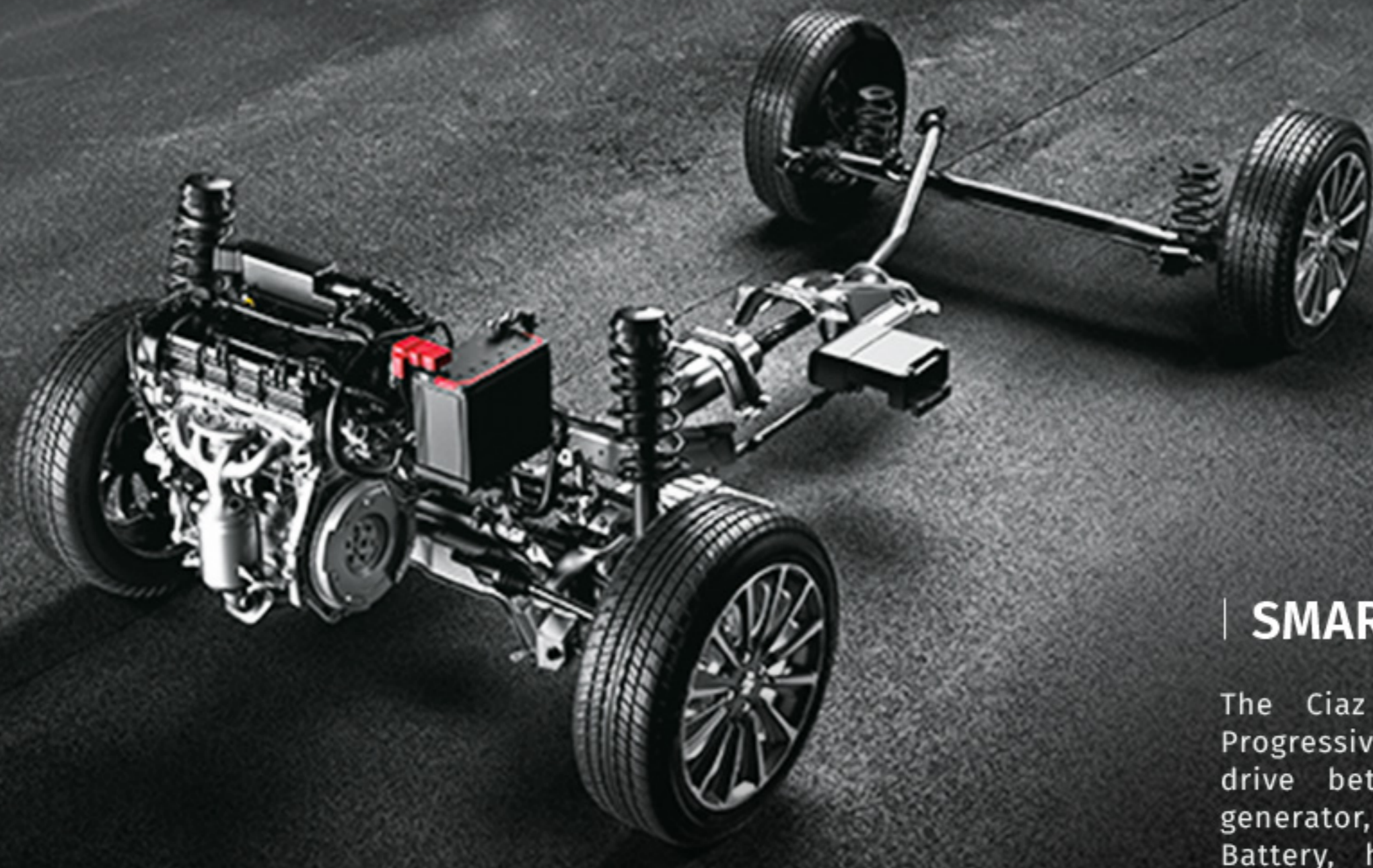
From the sweet smell of success, to the exquisite taste of freedom. From confidence, to comfort. Your every day has been defined by it. It's indulgent. Elegant. The most spacious. Words can't describe it, but yes, you're in a Ciaz. You're in a good space. Every second you spend in it, is pure joy. Every inch of its luxurious space, is yours to just sit back and enjoy. You know it, and so do all.



A FEELING CALLED CIAZ

Immerse your senses in a space that redefines comfort and surrounds you in absolute luxury. It's peaceful. Calming. And the best of it all, the most spacious. The experience of Ciaz is something you will long for when you're not inside it. You will keep coming back to it, day after day.

Smart HYBRID



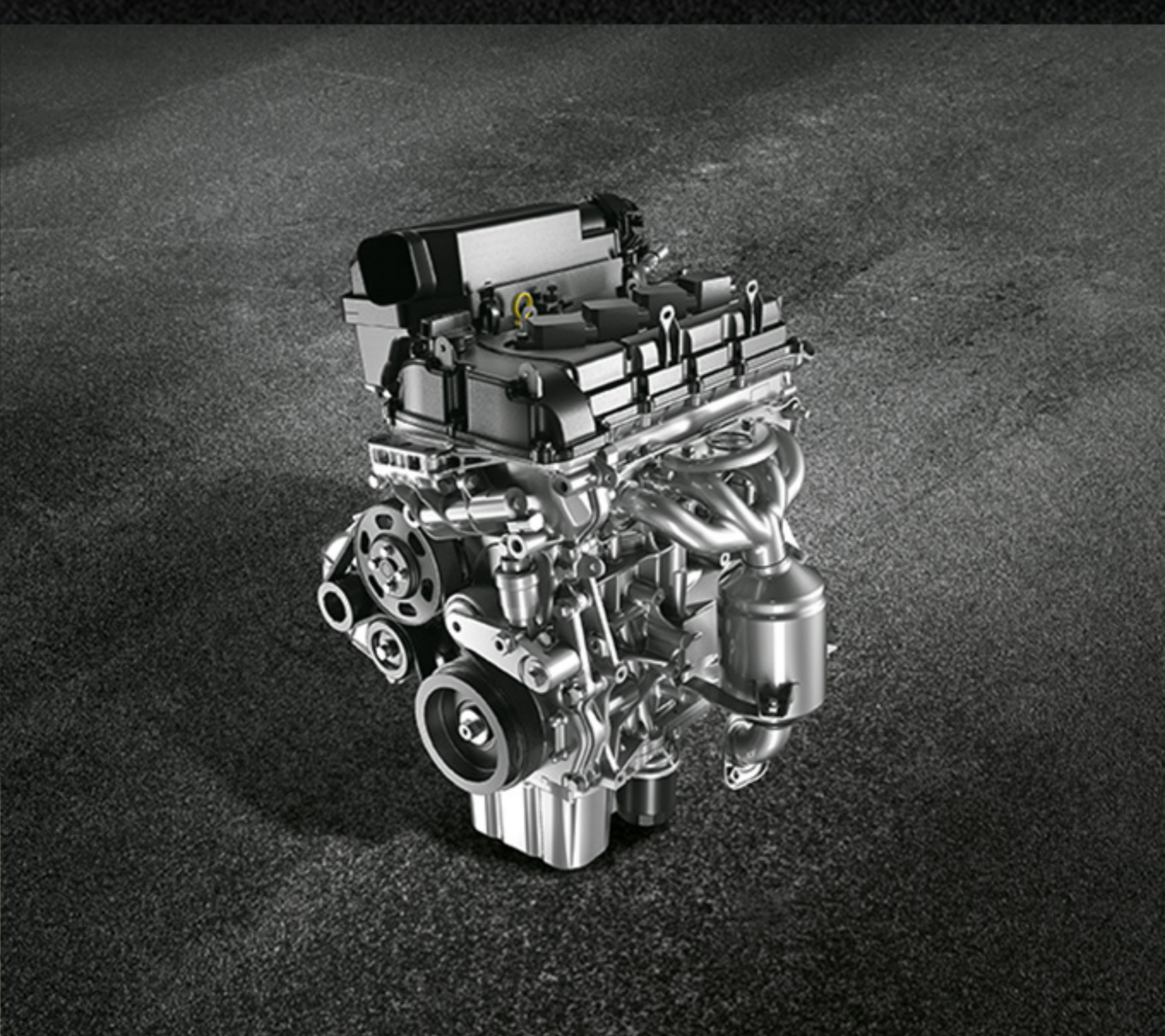
SMART HYBRID TECHNOLOGY

The Ciaz comes equipped with the revolutionary Progressive Smart Hybrid Technology that makes your drive better and smoother. Its integrated starter generator, paired with a Lithium-ion and a Lead Acid Battery, helps in regenerating braking energy and provides torque assist to the engine during acceleration.



AUTOMATIC TRANSMISSION

Out on the roads, driving the Ciaz with Automatic Transmission is pure bliss. It moves effortlessly, even through the busiest of lanes, letting you unwind through the chaos and be in your own space.



K15 (1.5L) PETROL ENGINE

The Ciaz comes with the BS VI compliant K15 (1.5L) Petrol Engine, delivering a sophisticated blend of great performance and a smooth drive, enhancing your experience. Every day. On every turn.



CRUISE CONTROL

Relax on every journey you take with the Cruise Control Feature System which lets you pick any cruising speed over 40 km/h. Now, click and drive through the highway with unmatched ease.



SMARTPLAY STUDIO

The world is yours to connect with. Your beloved tunes on your fingertips. And directions to new destinations at your command. That's the simplicity of SmartPlay Studio. Plug in, or seamlessly connect your Smartphones, and experience unlimited entertainment with uninterrupted connectivity. It's truly a good space.

CREATE. INSPIRE.



Ciaz S

TECHNICAL SPECIFICATIONS

| ENGINE | |
|---------------------------|--------------------------------------------------|
| Engine Type | K15 Smart Hybrid Petrol Engine |
| Valve System | DOHC |
| Engine Capacity (cc) | 1462 |
| Bore x Stroke (mm) | 74 x 85 |
| Max. Power (kW/rpm) | 77/6000 |
| Max. Torque (Nm/rpm) | 138/4400 |
| Fuel Tank Capacity (L) | 43 |
| Fuel Efficiency** | 20.65 (MT) / 20.04 (AT) |
| Emission Standard | BS VI |
| Idle Start Stop | ✓ |
| Gear Shift Indicator | ✓(MT) |
| Brake Energy Regeneration | ✓ |
| Torque Assist | ✓ |
| DIMENSIONS | |
| Length (mm) | 4490 |
| Width (mm) | 1730 |
| Height (mm) | 1485 |
| Wheelbase (mm) | 2650 |
| Boot Space (L) | 510* |
| Turning Radius (m) | 5.4 |
| Seating Capacity | 5 |
| DRIVE, TRANSMISSION | |
| Drive System | 2WD |
| Transmission | 5MT/4AT |
| DRIVE PERFORMANCE | |
| Front Brakes | Ventilated Disc |
| Rear Brakes | Drum |
| Front Suspension | McPherson |
| Rear Suspension | Torsion Beam |
| Tyre Size | 185/65 R15 (Steel & Alloy) 195/55 R16 (Alloy) |
| WEIGHT | |
| GVW (kg) | 1520(MT) / 1530(AT) |

FEATURE LIST

| VARIANTS | Sigma | Delta | Zeta | Alpha | Ciaz S |
|--------------------------------------------------------------------------------------------|--------------|---------------------|----------------------------|----------------------------|----------------------------|
| EXTERIOR | | | | | |
| Halogen Projector Headlamps | ✓ | ✓ | X | X | X |
| LED Projector Headlamps | X | X | ✓ | ✓ | ✓ |
| Integrated LED Daytime Running Lamps (DRL) | X | X | ✓ | ✓ | ✓ |
| Split Rear Combination Lamps | ✓ | ✓ | ✓ | ✓ | ✓ |
| LED Rear Combination Lamps | X | X | ✓ | ✓ | ✓ |
| Alloy Wheels# | X | 185/65 R15 (Silver) | 185/65 R15 (Silver) | 195/55 R16 (Precision cut) | 195/55 R16 (Gray) |
| Chrome Accents on Front Grille | ✓ | ✓ | ✓ | ✓ | ✓ |
| Trunk Lid Chrome Garnish | X | X | X | ✓ | ✓ |
| Door Beltline Garnish | X | X | X | ✓ | ✓ |
| Glass Antenna | ✓ | ✓ | ✓ | ✓ | ✓ |
| Body Coloured ORVMs with Turn Indicators | ✓ | ✓ | ✓ | ✓ | Piano Black |
| Body Coloured Door Handles | ✓ | ✓ | Chrome | Chrome | Chrome |
| Front Fog Lamp Ornament | Black | Silver | Silver | Chrome | Piano Black |
| Rear Reflector Ornament | X | Silver | Silver | Chrome | Chrome |
| Rear and Side Underbody Spoiler | X | X | X | X | ✓Black |
| Trunk Lid Spoiler with High Mount Stop Lamp | X | X | X | X | ✓Black |
| INTERIOR | | | | | |
| Leather Seat Upholstery### | X | X | X | ✓ | ✓Black |
| Leather Wrapped Steering Wheel | X | X | X | ✓ | ✓ |
| Chrome Garnish (Steering Wheel, Inside Door Handles, AC Louvers Knob, Parking Brake Lever) | ✓ | ✓ | ✓ | ✓ | ✓ |
| MID (With Coloured TFT) | ✓ | ✓ | ✓ | ✓ | ✓ |
| Eco Illumination | ✓ | ✓ | ✓ | ✓ | ✓ |
| Silver Finish on I/P and Door Garnish | X | X | X | X | (With Satin Chrome Finish) |
| Wooden Finish on I/P & Door Garnish | ✓ | ✓ | (With Satin Chrome Finish) | ✓ | X |
| Satin Finish on AC Louvers | Front Centre | Front | Front+Rear | Front+Rear | Front+Rear |
| Rear Seat Adjustable Headrest | X | X | ✓ | ✓ | ✓ |
| Chrome Finish on Floor Console | X | ✓ | ✓ | ✓ | ✓ |
| COMFORT AND CONVENIENCE | | | | | |
| Intelligent Key (Push Start/Stop) | X | X | ✓ | ✓ | ✓ |
| Cruise Control | X | ✓ | ✓ | ✓ | ✓ |
| Electrically Adjustable ORVMs | ✓ | ✓ | ✓ | ✓ | ✓ |
| Electrically Foldable ORVMs | X | X | ✓ | ✓ | ✓ |
| Keyless Entry | ✓ | ✓ | ✓ | ✓ | ✓ |
| Power Windows (Dr. side Auto Up/Down with Anti-pinch) | ✓ | ✓ | ✓ | ✓ | ✓ |
| Auto AC | Manual | ✓ | ✓ | ✓ | ✓ |
| Rear AC Vents | ✓ | ✓ | ✓ | ✓ | ✓ |
| Pollen Filter | ✓ | ✓ | ✓ | ✓ | ✓ |
| Front Centre Armrest (With Utility Box) | ✓ | ✓ | ✓ | ✓ | ✓ |
| Rear Centre Armrest (With Cup Holders) | ✓ | ✓ | ✓ | ✓ | ✓ |
| Height Adj. Driver Seat | X | ✓ | ✓ | ✓ | ✓ |
| Rear Sunshade | X | X | ✓ | ✓ | ✓ |
| Footwell Lamps (Driver + Passenger Side) | X | X | ✓ | ✓ | ✓ |
| Rear Reading Lamps | X | X | ✓ | ✓ | ✓ |
| Sunglass Holder | X | X | ✓ | ✓ | ✓ |
| Accessory Socket (Front and Rear) | ✓ | ✓ | ✓ | ✓ | ✓ |
| Tilt Steering | ✓ | ✓ | ✓ | ✓ | ✓ |
| AUDIO/INFOTAINMENT | | | | | |
| 17.8 cm Touchscreen SmartPlay Studio | X | X | ✓ | ✓ | ✓ |
| Bluetooth Connectivity | ✓ | ✓ | ✓ | ✓ | ✓ |
| Navigation System With Live Traffic Update (through Smartplay Studio app) | X | X | ✓ | ✓ | ✓ |
| Android Auto and Apple CarPlay^^ | X | X | ✓ | ✓ | ✓ |
| Voice Command System | X | X | ✓ | ✓ | ✓ |
| Speakers + Tweeters (4 + 2 Nos.) | ✓ | ✓ | ✓ | ✓ | ✓ |
| USB Connectivity | ✓ | ✓ | ✓ | ✓ | ✓ |
| Steering Mounted Audio Controls | ✓ | ✓ | ✓ | ✓ | ✓ |
| Steering Mounted Calling Controls | ✓ | ✓ | ✓ | ✓ | ✓ |
| Remote Control and AHA Platform (through Smartplay Studio app) | X | X | ✓ | ✓ | ✓ |
| SAFETY | | | | | |
| Automatic Headlamps | X | X | ✓ | ✓ | ✓ |
| Front Fog Lamps | X | ✓ | LED | LED | LED |
| Rear Defogger | ✓ | ✓ | ✓ | ✓ | ✓ |
| Auto Day/Night IRVM | Manual | Manual | Manual | ✓ | ✓ |
| Reverse Parking Sensor | ✓ | ✓ | ✓ | ✓ | ✓ |
| Reverse Parking Camera | X | X | ✓ | ✓ | ✓ |
| Anti-theft Security System | ✓ | ✓ | ✓ | ✓ | ✓ |
| Electronic Stability Program with Hill-hold | X | AT only | AT only | AT only | X |
| Seat Belt Reminder (Driver + Passenger) | ✓ | ✓ | ✓ | ✓ | ✓ |
| Speed Alert system^ | ✓ | ✓ | ✓ | ✓ | ✓ |

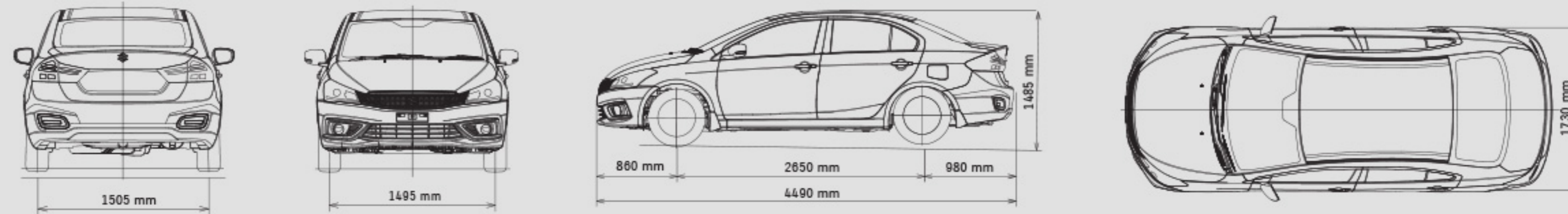
LEGEND: (✓) Available; (X) Not Available

*Spare wheel material is steel & spare tyre size is 185/65 R15. **Some parts of the Leather Appointed Seat Upholstery contains man-made material.

*VDA Method. **As Certified by Test Agency Under Rule 115 of Central Motor Vehicles Rules 1989. Features shown may vary from variant to variant. Car's headlights have been enhanced as per the ambience. Car colour may vary due to printing on paper. Images used are for illustration purposes only. Appearance of black glass is due to lighting effect. Automatic Transmission is available in Delta, Zeta and Alpha variants.

Ciaz S is available in Sangria Red, Metallic Premium Silver and Pearl Snow White colour options only.

^^Android Auto is Trademark of Google and Apple CarPlay is Trademark of Apple Inc.



NEXA Safety Shield

Standard Across All Variants

- SUZUKI-TECT BODY
- DUAL FRONT AIRBAGS
- ABS WITH EBD
- SEAT BELT PRE-TENSIONERS WITH FORCE LIMITERS

- ISOFIX CHILD SEAT ANCHORAGES
- PEDESTRIAN PROTECTION COMPLIANCE
- FULL FRONTAL IMPACT COMPLIANCE, FRONTAL OFFSET IMPACT COMPLIANCE, SIDE IMPACT COMPLIANCE

AVAILABLE COLOURS

NEXA BLUE

PEARL SANGRIA RED

PEARL METALLIC DIGNITY BROWN

PEARL MIDNIGHT BLACK

METALLIC MAGMA GRAY

METALLIC PREMIUM SILVER

PEARL SNOW WHITE

^The speed alert system gives audible warning for alert of over-speed driver. When vehicle speed exceeds about 80 km/h, primary level warning with two beeps will sound every minute. When the vehicle speed exceeds about 120 km/h, secondary level warning with continuous beeps will sound. If the vehicle speed is slowed down to about 118 km/h, primary warning will resume. If the vehicle is slowed down to about 78 km/h, speed alert warning will stop. This buzzer does not indicate any malfunction in vehicle.

Maruti Suzuki India Limited reserves the right to change, without notice, price, colours, equipment specifications, and models and also to discontinue models and/or replace any part or accessory with any other product. Accessory and feature shown in the pictures may not be a part of standard equipment and will differ according to the variant. Any offers made will be subject to availability of the product. For more details, contact your nearest NEXA Dealership.

NEXA | www.nexasexperience.com

MARUTI SUZUKI