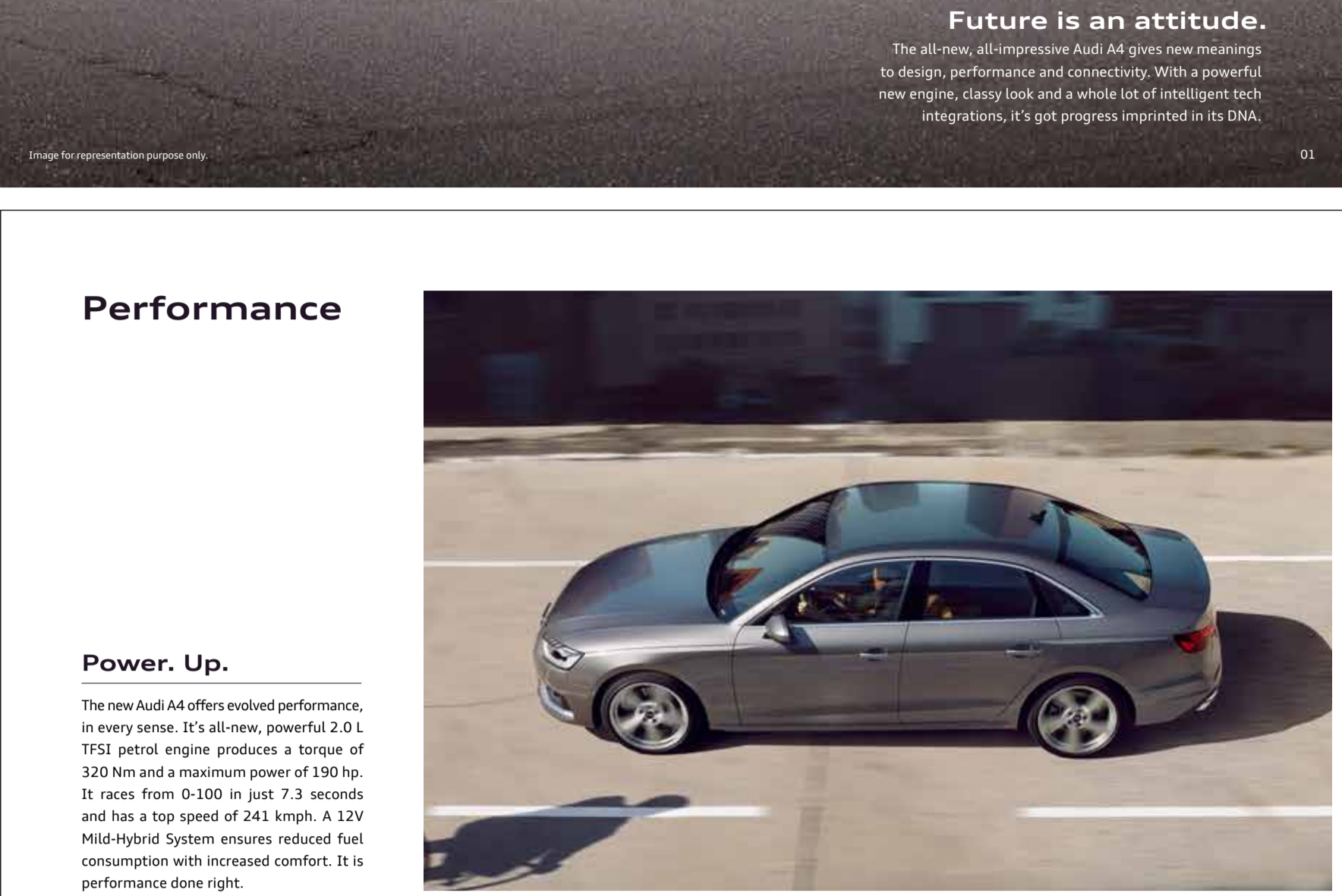


# Audi A4



## Index

<b>The Audi A4</b>	Overview	1
<b>Engine and Performance</b>	Performance	2
	Engine	3
	Performance Features	4
<b>Equipment</b>	Exterior	5
	Exterior Features	6
	Interior	7
	Interior Features	8
	Technology and Infotainment	9
	Technology Features	10
	External Features	11
<b>Colour and Styling</b>	Exterior Colour Options	13
	Interior Colour Options	14
	Alloy Options	15
<b>Others</b>	Technical Data	16



## Future is an attitude.

The all-new, all-impressive Audi A4 gives new meanings to design, performance and connectivity. With a powerful new engine, classy look and a whole lot of intelligent tech integrations, it's got progress imprinted in its DNA.

## Performance

### Power. Up.

The new Audi A4 offers evolved performance, in every sense. It's all-new, powerful, 2.0 L TFSI petrol engine produces a torque of 320 Nm and a maximum power of 190 hp. It races from 0-100 in just 7.3 seconds and has a top speed of 241 km/h. A 12V Mild-Hybrid System ensures reduced fuel consumption with increased comfort. It is performance done right.

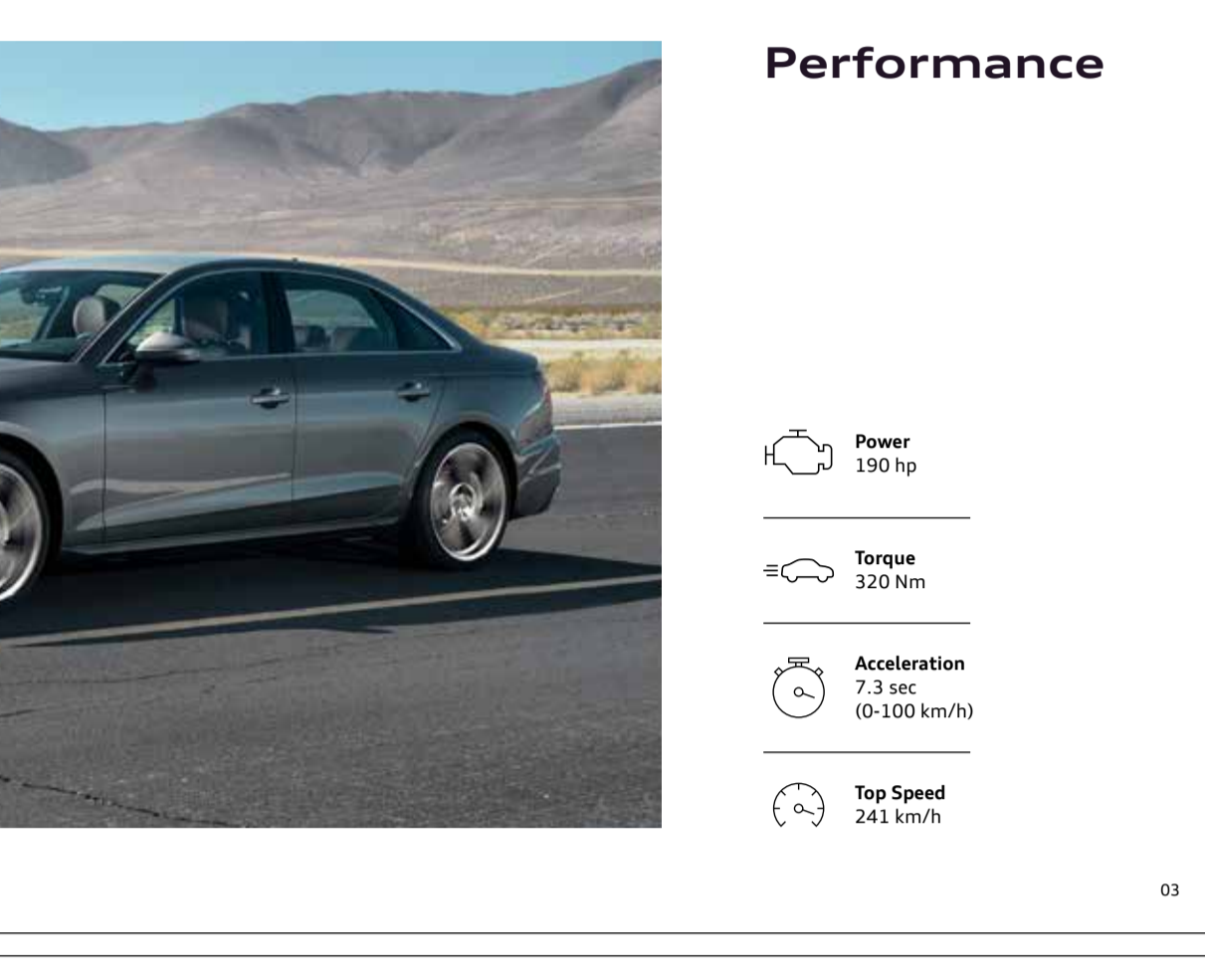
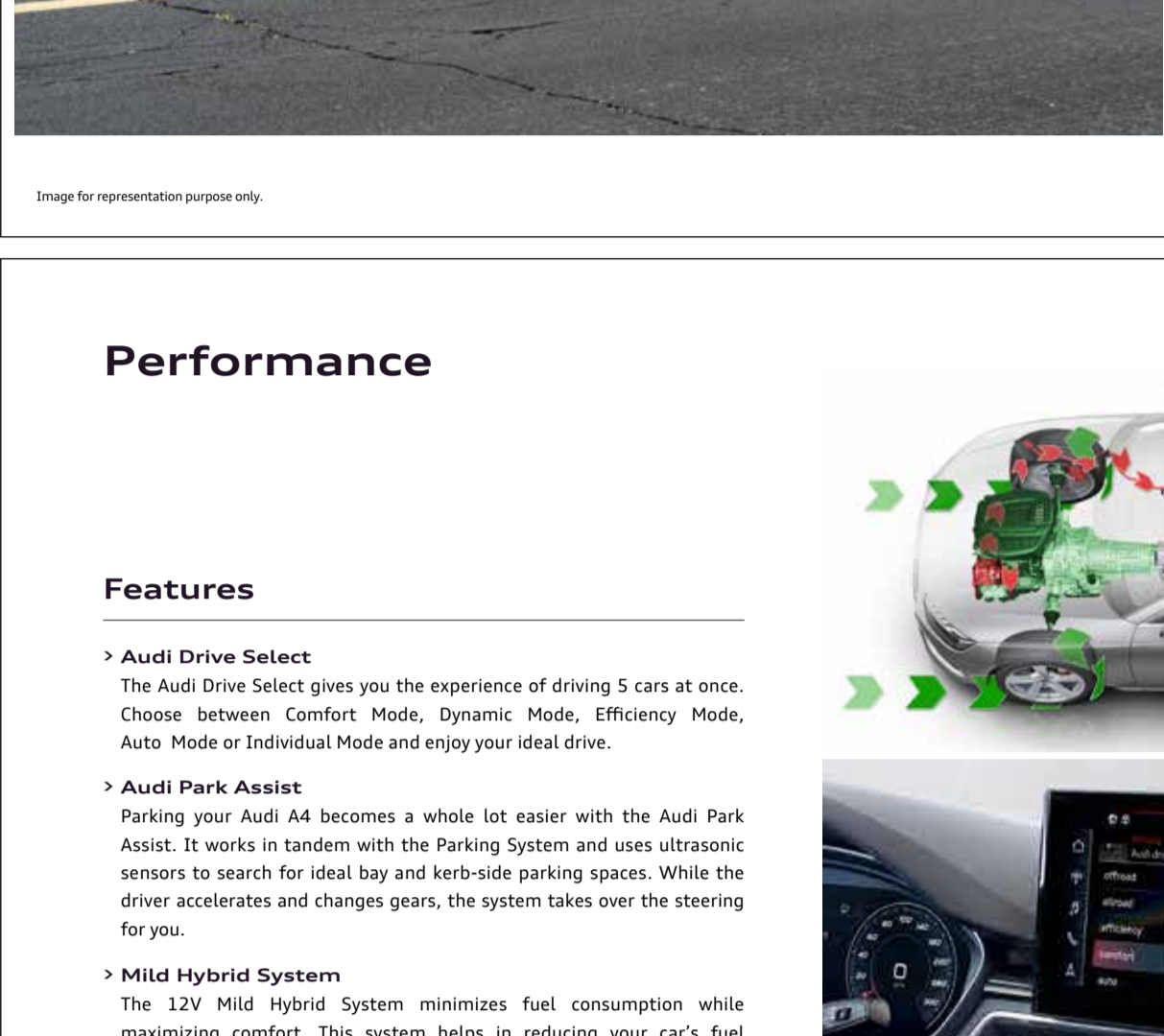


Image for representation purpose only.



## Performance

- Power**  
190 hp
- Torque**  
320 Nm
- Acceleration**  
7.3 sec (0-100 km/h)
- Top Speed**  
241 km/h

Image for representation purpose only.

## Performance

### Features

- > **Audi Drive Select**  
The Audi Drive Select gives you the experience of driving 5 cars at once. Choose between Comfort Mode, Dynamic Mode, Efficiency Mode, Auto Mode or Individual Mode and enjoy your ideal drive.
- > **Audi Park Assist**  
Parking your Audi A4 becomes a whole lot easier with the Audi Park Assist. It works in tandem with the parking laser system and uses ultrasonic sensors to search for ideal bay and kerb-side parking spaces. While the driver accelerates and changes gears, the system takes over the steering for you.
- > **Mild Hybrid System**  
The 12V Mild Hybrid System minimizes fuel consumption while maximizing comfort. This system helps in reducing your car's fuel consumption by up to 0.3 litres per 100 kilometers. The Start-Stop function, a part of this system, switches off the engine when stationary and starts back as soon as the driver releases the brake.

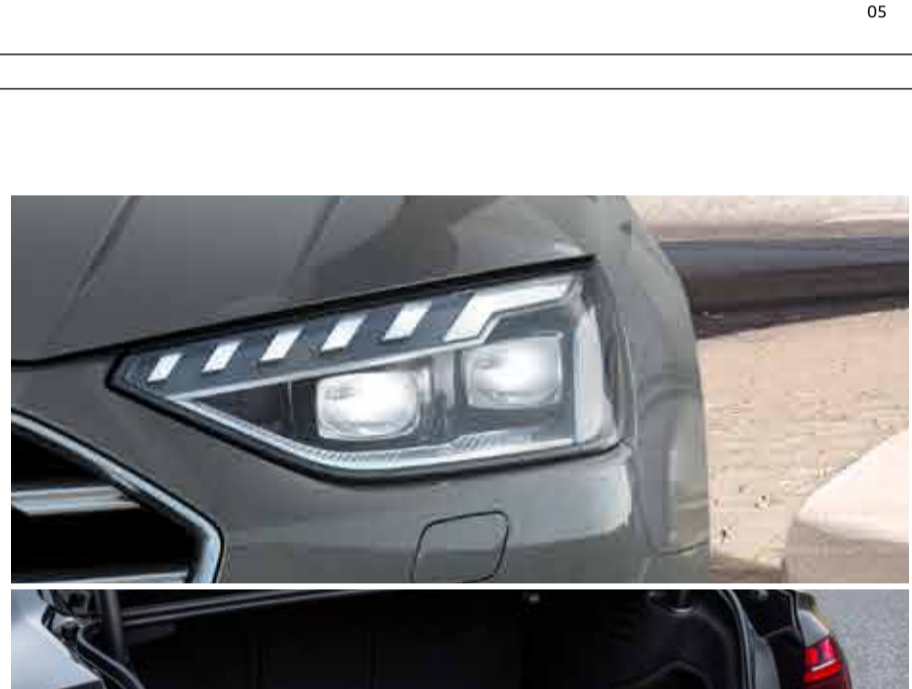
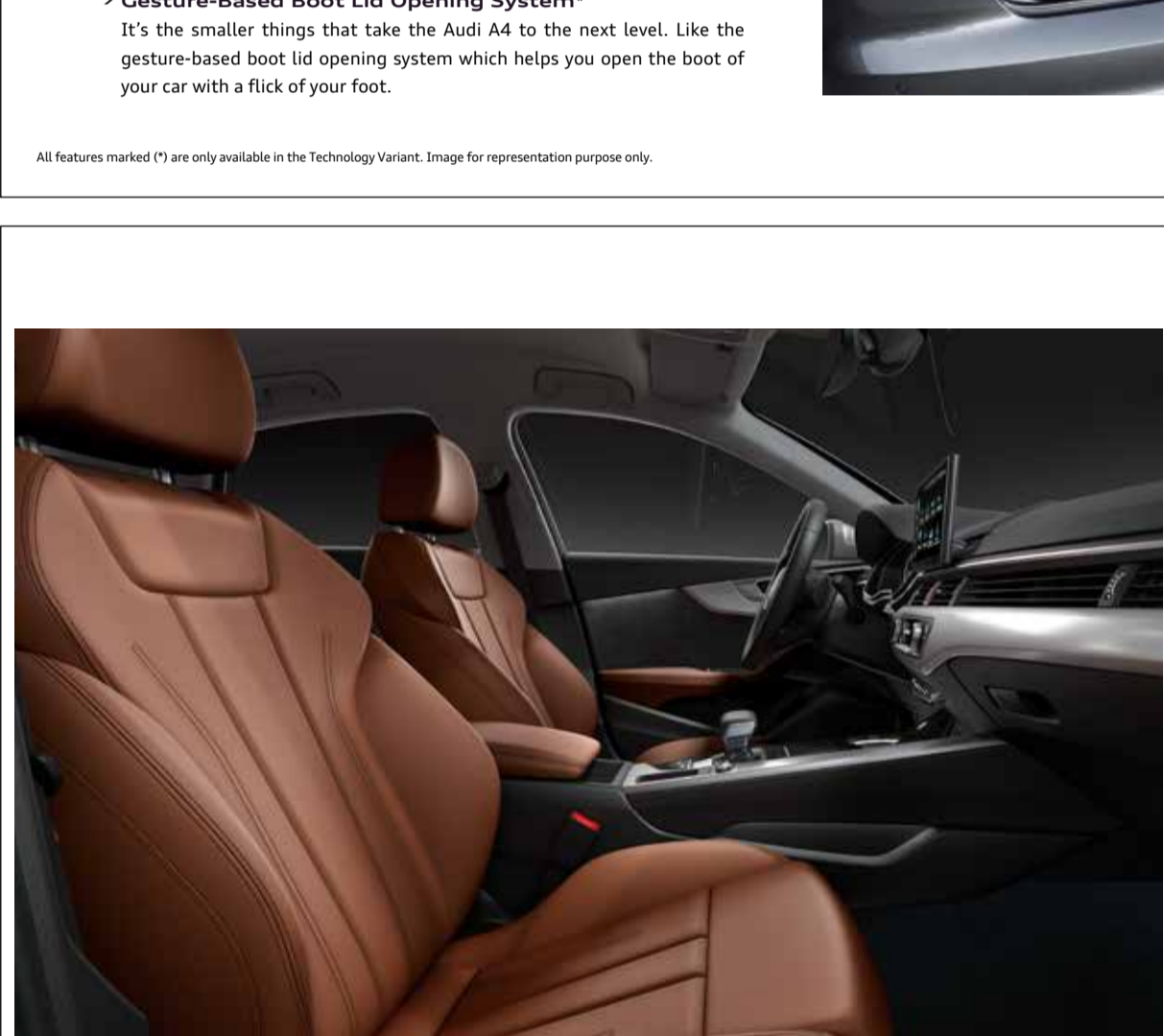


Image for representation purpose only.



## Exterior

### The future looks magnificent.

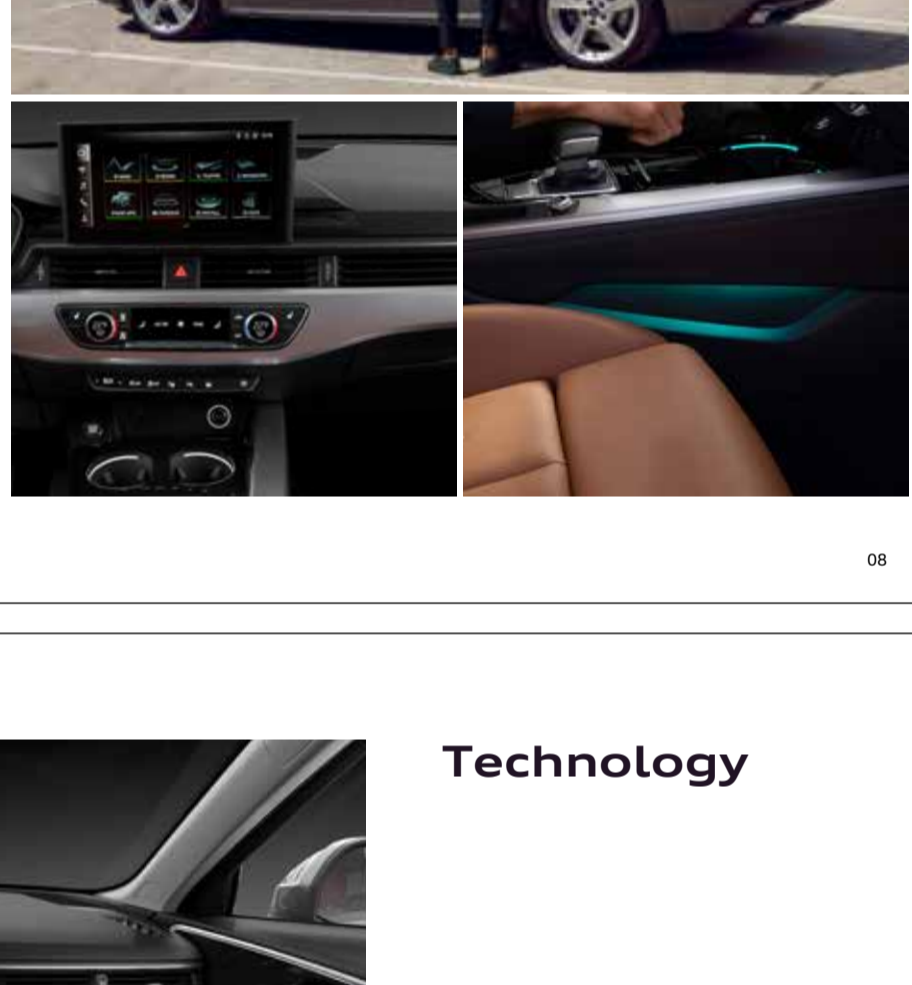
The new Audi A4 is effortlessly impressive. All the way from the redesigned sporty front bumper to the disconnected shoulder line running across its sides, to the beautiful rear lamps, the design is cohesive and extremely attractive.

Image for representation purpose only.

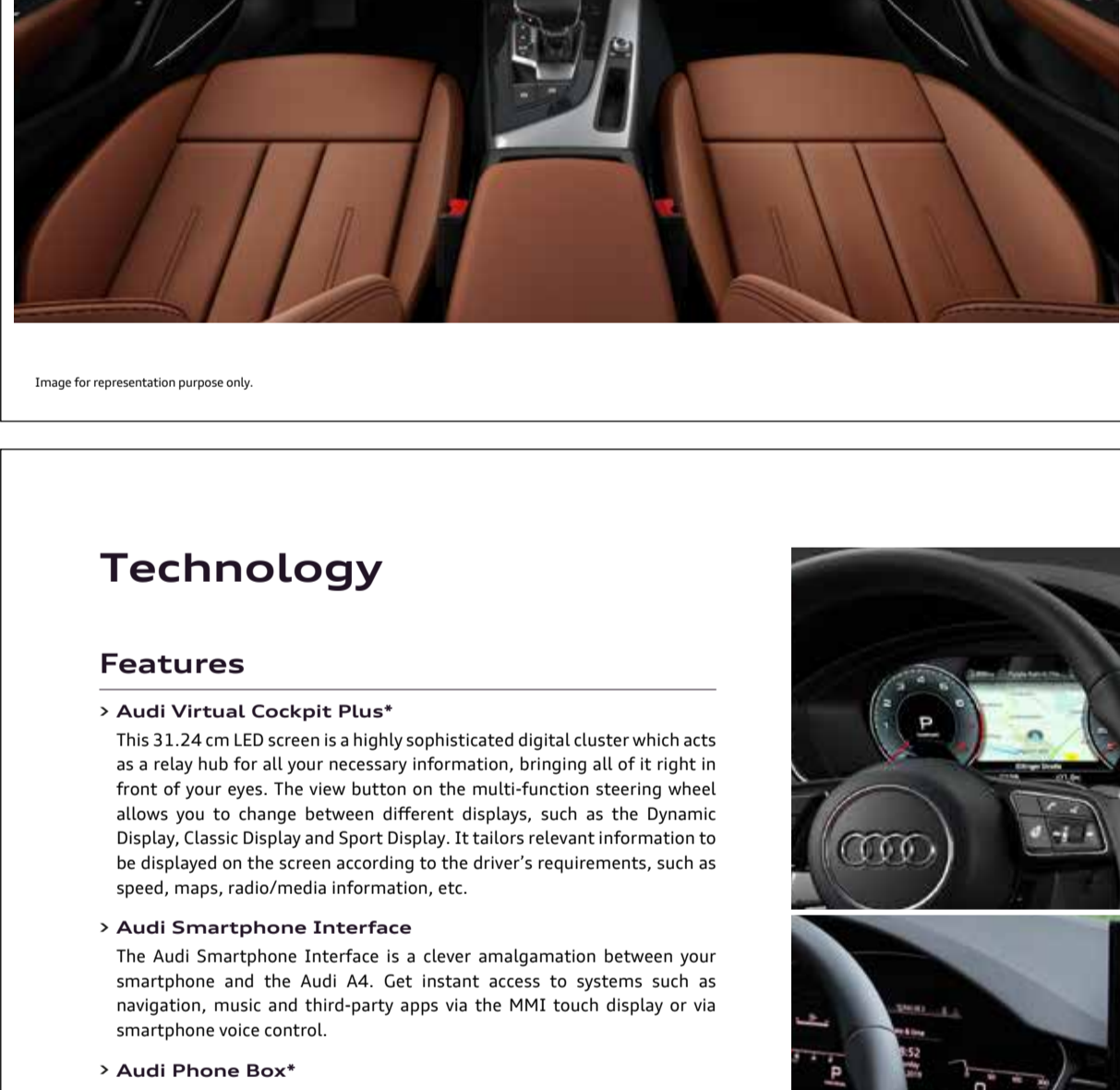
## Exterior

### Features

- > **LED Headlamps with redesigned signature DRLs**  
Style and safety meet in the Audi A4 headlamps. The redesigned signature DRLs accents the shape of the car while increasing the visibility of the car to other drivers.
- > **Gesture-Based Boot Lid Opening System\***  
It's the smaller things that take the Audi A4 to the next level. Like the gesture-based boot lid opening system which helps you open the boot of your car with a flick of your foot.



All features marked (\*) are only available in the Technology variant. Image for representation purpose only.



## Interior

### Craft meets comfort.

The interior of the Audi A4 is the epitome of luxury and comfort. It combines modern aesthetics with supreme craftsmanship. The optional piano black inlay is extremely stylish. And the uniquely designed gear shift and the leather leatherette seats are designed to provide utmost comfort to the driver.

Image for representation purpose only.

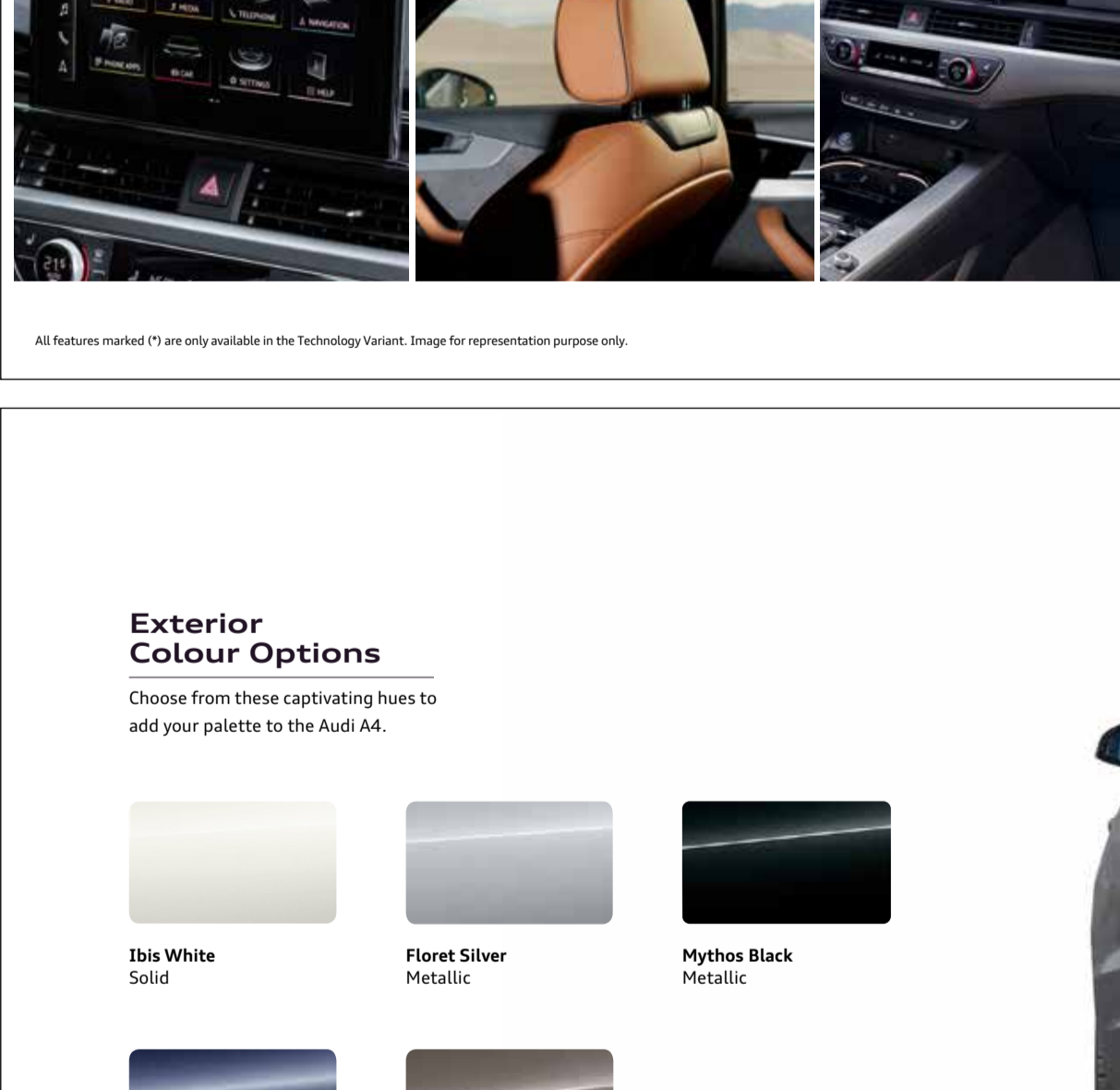
## Interior

### Features

- > **3 Zone Air Conditioning**  
Audi A4's 3 Zone Air Conditioning comes with sun position and humidity sensors helping to keep your car at the perfect temperature. Always.
- > **Comfort Key\***  
The Audi Comfort Key places convenience right at the tip of your finger. From keyless car opening, to accessing important settings, the Comfort Key does it all.
- > **Contour Ambient Lighting with 30 colours**  
Spruce up your interiors with the Contour Ambient Lighting package.



All features marked (\*) are only available in the Technology variant. Image for representation purpose only.



## Technology

### Intelligence to do more.

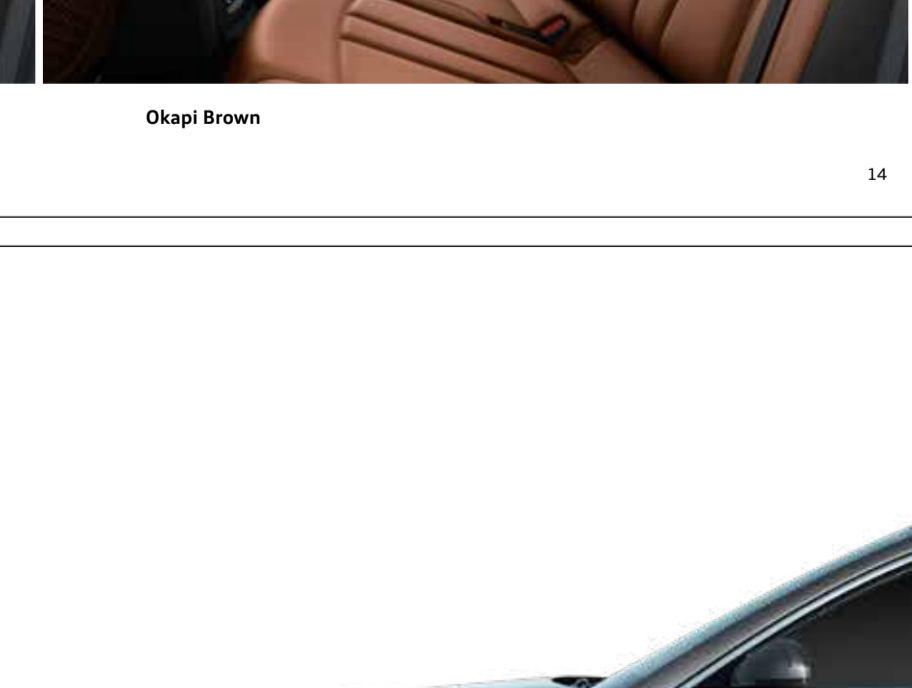
Smart, intuitive and highly advanced. The New Audi A4 features advanced technology and best-in-class infotainment system. The Voice Dialogue System allows you to provide verbal commands to your car. And the Audi Smartphone interface bridges the gap between your phone and your car.

Image for representation purpose only.

## Technology

### Features

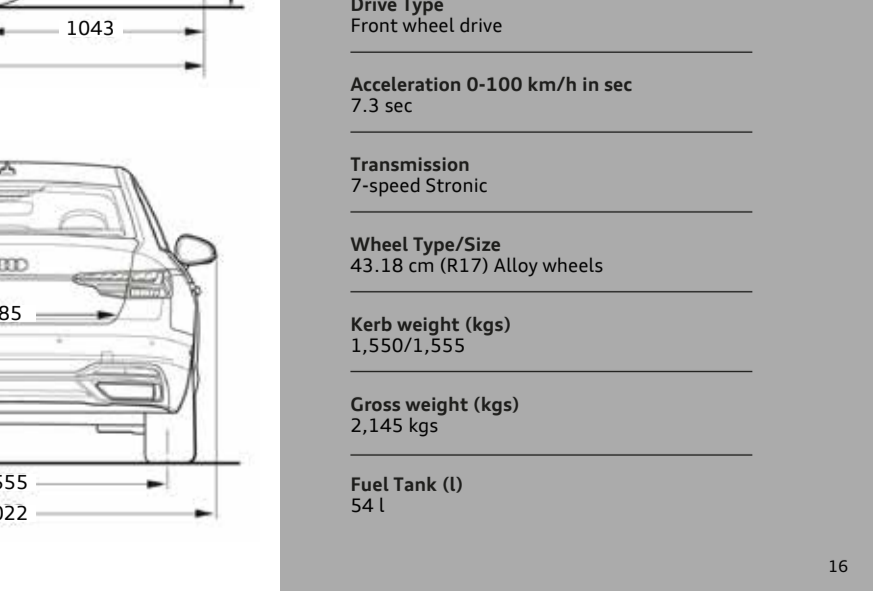
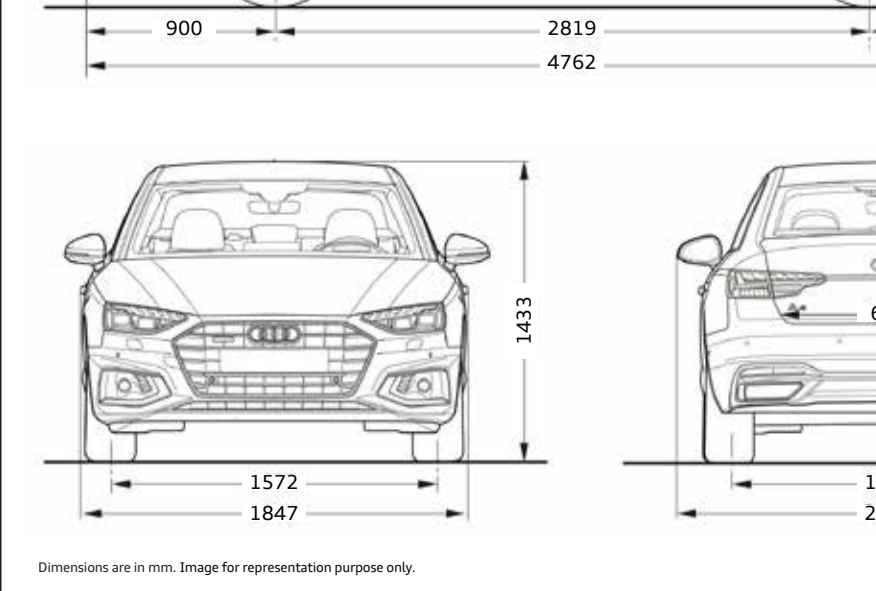
- > **Audi Virtual Cockpit Plus\***  
This 12.3" 24 cm LED screen is a highly sophisticated digital cluster which acts as a relay hub for all your necessary information, bringing all of it right in front of your eyes. The view button on the multi-function steering wheel allows you to change between different displays, such as the Dynamic Display, Classic Display and Sport Display. It tailors relevant information to be displayed on the screen according to the driver's requirements, such as speed, maps, radio/media information, etc.
- > **Audi Smartphone Interface**  
The Audi Smartphone Interface is a clever amalgamation between your smartphone and the Audi A4. Get instant access to systems such as navigation, music and third-party apps via the MMI touch display or via smartphone voice control.
- > **Audi Phone Box\***  
The Audi Phone Box wirelessly charges your phone, while also improving signal reception.
- > **MMI Navigation Plus with MMI touch\***  
The Audi A4's new MMI system takes your vehicle to new levels of connectivity. An MMI touch display with acoustic feedback replaces the older rotary/push button system on the centre tunnel console. With a 25.65 cm high resolution TFT display, the MMI Navigation Plus with MMI Touch is convenience, redefined.



All features marked (\*) are only available in the Technology variant. Image for representation purpose only.

## Exterior Features

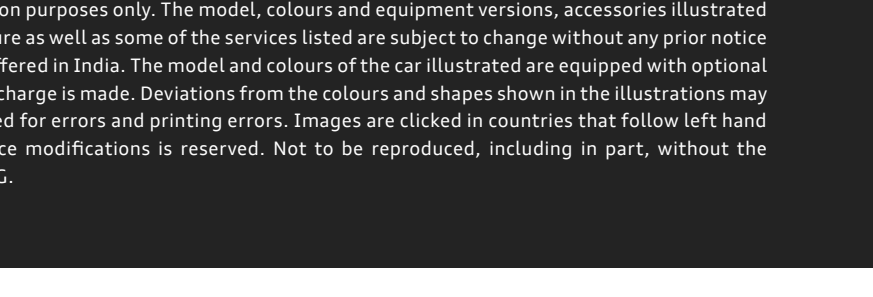
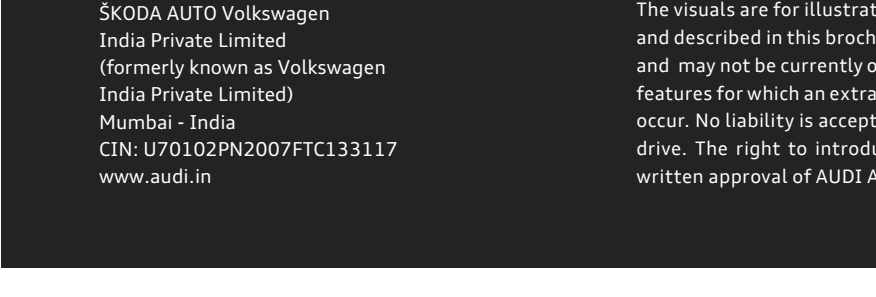
- > LED Headlamps with signature DRLs
- > 5-spoke Dynamic style Alloy Wheels\*
- > Chrome Sunroof
- > Chrome Door Handles
- > Electrically adjustable exterior mirror with auto dimming & optional memory function



All features marked (\*) are only available in the Technology variant. Image for representation purpose only.

## Interior Features

- > New 25.65 cm MMI Touch response
- > Decorative Inlays in Audi Exclusive Piano Black\*
- > Audi Virtual Cockpit Plus - With Sport display mode\*
- > Comfort Key with Gesture based boot lid opening\*
- > 3 Zone Air Conditioner
- > Leather Leatherette Interiors
- > Audi Sound System
- > Contour Ambient lighting with 30 colors



All features marked (\*) are only available in the Technology variant. Image for representation purpose only.

## Exterior Colour Options

Choose from these captivating hues to add your palette to the Audi A4.



Image for representation purpose only.

## Interior Options

Make the interiors of your Audi A4 even more inviting with these interior options.



Image for representation purpose only.

## Alloy Options

The stylish 43.18 cm, 5-arm dynamic style Alloy wheels are a perfect addition to the impressive looking Audi A4.



Image for representation purpose only.



<b>Engine Type</b>	In-line 4-cylinder gasoline engine with direct injection, lambda control, knock control, turbocharging and exhaust gas turbocharging
<b>Max power in hp (kW) @ rpm</b>	190 (140) @ 4,200 - 6000
<b>Max Torque in Nm @ rpm</b>	320 @ 1,450 - 4,200
<b>Drive Type</b>	Front-wheel drive
<b>Acceleration 0-100 km/h in sec</b>	7.3 sec
<b>Transmission</b>	7-speed STronic
<b>Wheel Type/Size</b>	43.18 cm (16.17) Alloy wheels
<b>Kerb weight (kgs)</b>	1,550/1,555
<b>Gross weight (kgs)</b>	2,145 kgs
<b>Fuel Tank (l)</b>	54 l

Dimensions are in mm. Image for representation purpose only.

## Audi Vorsprung durch Technik

Audi India  
A division of  
SKODA AUTO Volkswagen  
(India) Private Limited  
(formerly known as Volkswagen  
India Private Limited)  
Mumbai - India  
CIN: U71022PN2007FTL133117  
www.audi.in

© Audi IN | #audiIndia | #audiIndia | #audiIndia | #audiIndia

The visuals are for illustration purposes only. The model, colours and equipment listed are subject to change without any prior notice and may not be currently offered in India. The model and colours of the car illustrated are equipped with optional features for which an extra charge is made. Deviations from the colours and shapes shown in the illustrations may occur. No liability is accepted for errors and printing errors. Images are clicked in countries that follow left hand drive. The right to introduce modifications is reserved. Not to be reproduced, including in part, without the written approval of AUDI AG.